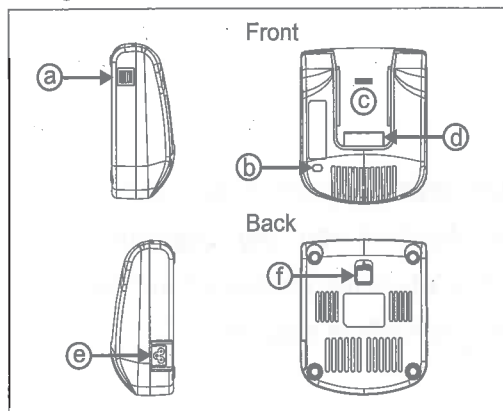


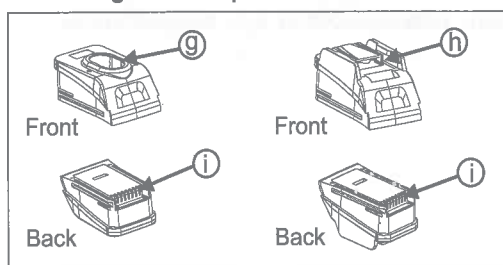
PRODUCT ILLUSTRATIONS

► Charger Base



- (a) Dual USB Output
- (b) LED Indicator
- (c) Interchangeable Adaptor Plate Receiving Bay
- (d) 7-Pin Metal Contact
- (e) AC Power Cord Port
- (f) Adapter Plate Lock Button

► Interchangeable Adapter Plate



- (g) Charging Contact
- (h) Power Input Metal Contact
- (i) 7-Pin Metal Contact

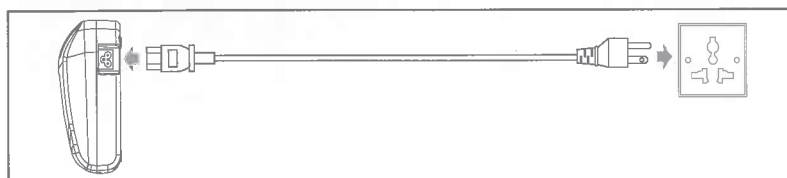
AC Power Cord x 1

There are 5 types of AC Power Cord for choice (Optional):

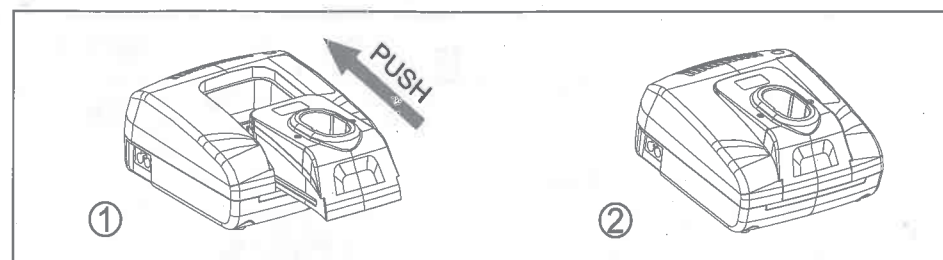
Australian	American	British	European	Japanese

Cord Length: 1100 mm
Output Plug: IEC C5
Output: USB x 2
(DC 5V / 2.1A max. for each port)

TO CONNECT THE POWER CORD TO THE CHARGER BASE

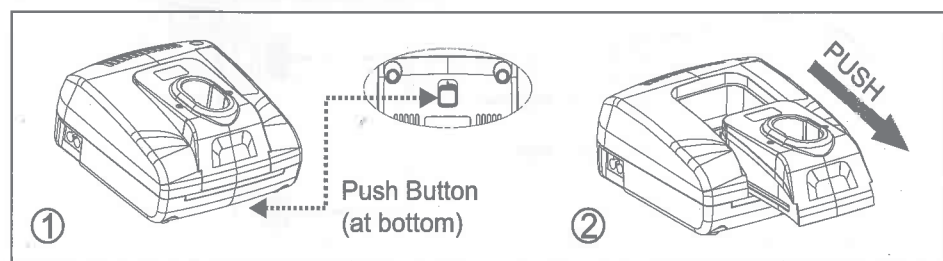


TO INSTALL THE ADAPTER PLATE ONTO THE CHARGER BASE



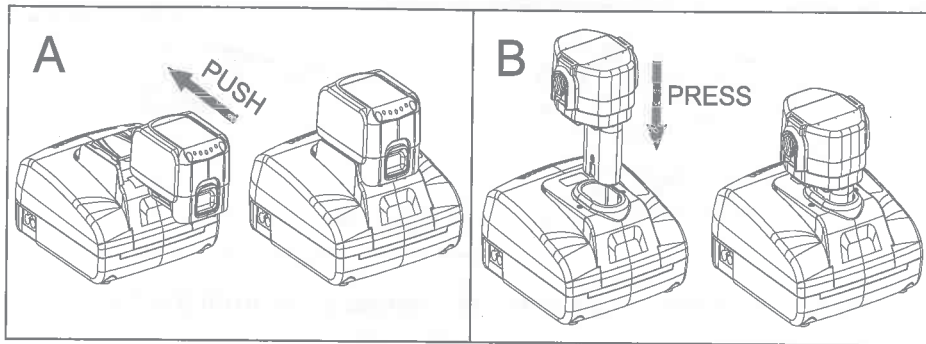
- ① Place the adapter plate onto the charger base from the top into the slots.
- ② Push the charger plate fully in the direction as shown in the above diagram.
- ③ The plate is fully inserted into the charger base only when you hear a "click" sound.

TO REMOVE THE ADAPTER PLATE FROM THE CHARGER BASE

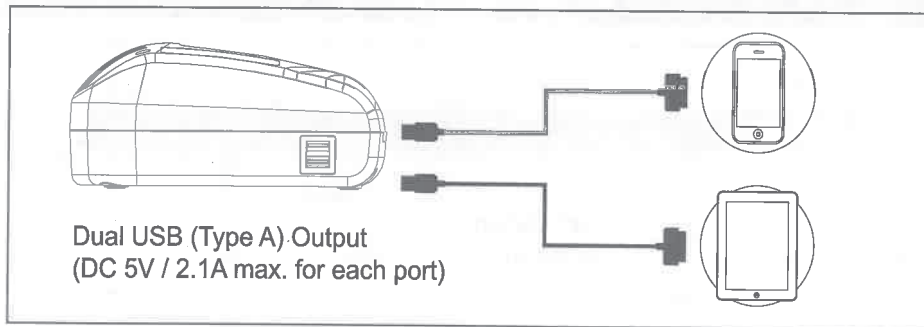


- ① Press and hold the release button to unlock the charger plate from the charger base.
- ② Push the charger plate in the direction as shown in the above diagram to remove the adapter plate from the charger base.

TO INSTALL THE POWER TOOLS BATTERY INTO THE CHARGER



- ① Install the battery in the direction as shown in the above two diagrams.
- ② Diagram A and B is the different direction to install battery, and you should install as your battery's model.
- ③ The Dual USB Output Port provide 5V power source for many popular mobile devices including mobile phones, tablet PCs, mobile router and external batteries, etc.



SPECIFICATIONS

Model	ACMT
Input	100 – 240V AC, 50-60Hz, 1.2A, 70W
Output	DC 7.2V – 18V, = 1 - 3A
	USB x 2 (DC 5V / 2.1A max. for each port)
Weight	Approx. 710g
Protection	<ul style="list-style-type: none"> - Short Circuit Protection - Reverse Protection - Over Temperature Protection - Max. 2.5 Hrs Charging Limit Protection - Low Voltage Slow Charge Safety Protection
Dimension	185 (L) x 160 (W) x 80 (H) mm